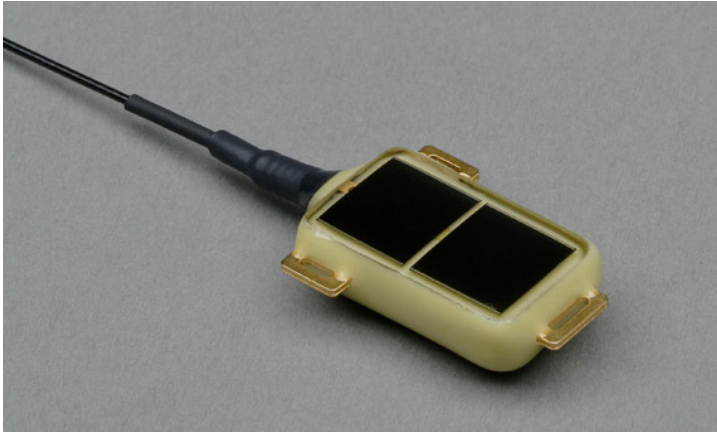


Solar 5g PTT

Microwave Telemetry, Inc.
8835 Columbia 100 Pkwy, Suites K & L
Columbia, MD 21045
USA



SENSORS

The Solar 5g PTT includes sensors to measure temperature, battery voltage, and activity (optional) with each parameter relayed to Argos on 3 out of every 4 transmissions. The fourth transmission relays the status of the duty cycle.

GENERAL ELECTRICAL SPECIFICATIONS

Operating frequency: 401.650 MHz \pm 36 kHz
Power output: 200 mW output is standard[†]
Output impedance: 50 ohms
Modulation tri-phase PSK: \pm 1.1 Rad \pm 0.1 Rad
Quiescent current: <3 μ A
Spurious emissions: -45 dB
Transmission interval: 60 seconds^{††}
Supply voltage: 3.6–4 volts
Operating temperature range: -5–45°C

* Dimensions may vary slightly due to the individually crafted nature of these devices.

Harnessing loops not included in these dimensions.

** Minor weight variations may result due to the individually crafted nature of these devices.

PHYSICAL SPECIFICATIONS

Dimensions*: Length 0.97 in (2.46 cm) x Width 0.60 in (1.52 cm) x Height 0.32 in (0.81 cm)

Weight**: ~4.5–5 grams

Antenna: Hard nylon-coated flexible stranded marine-grade stainless steel, 8.50 in (21.59 cm) long protruding from the back edge of the transmitter

FEATURES

- Lightweight, intelligent design
- Solar-powered, rechargeable battery
- Microprocessor-controlled power management
- Programmable duty cycle
- Optional XT™ programming
- Optional activity sensor
- Backpack, suture tubes^{***}, and glue-on attachment options
- Alternative color options available
- Operating lifetime up to 2 years

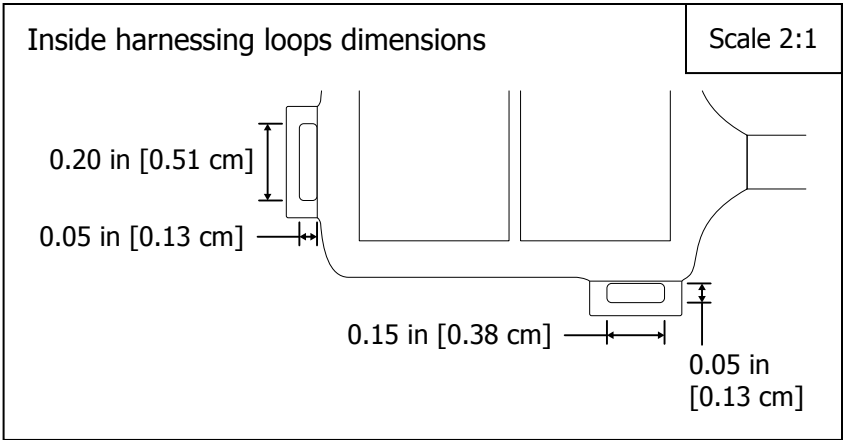
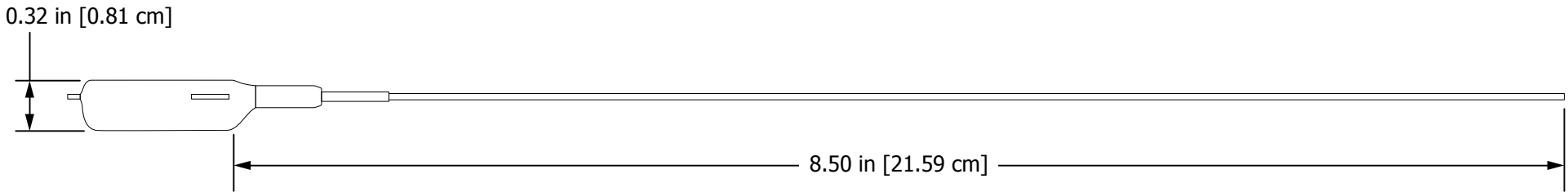
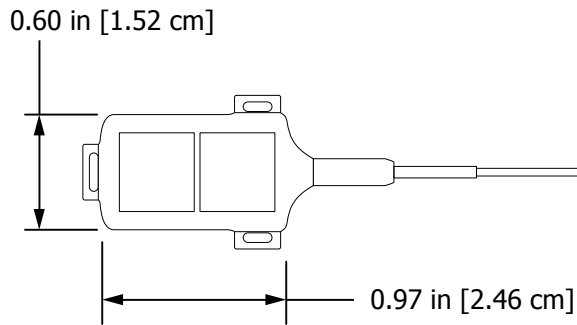
CONSTRUCTION

Microelectronics are encapsulated in epoxy resin to minimize weight and create a durable, long-lasting form.

*** This option will increase the weight of the transmitter.

[†] Adjustable between 100–300 mW.

^{††} Can be optimized for your requirements at time of manufacture.



NOTE: Dimensions may vary slightly due to the individually crafted nature of these devices.

© Microwave Telemetry, Inc.	
Solar 5g PTT	
10-01-2018	Scale 1:1